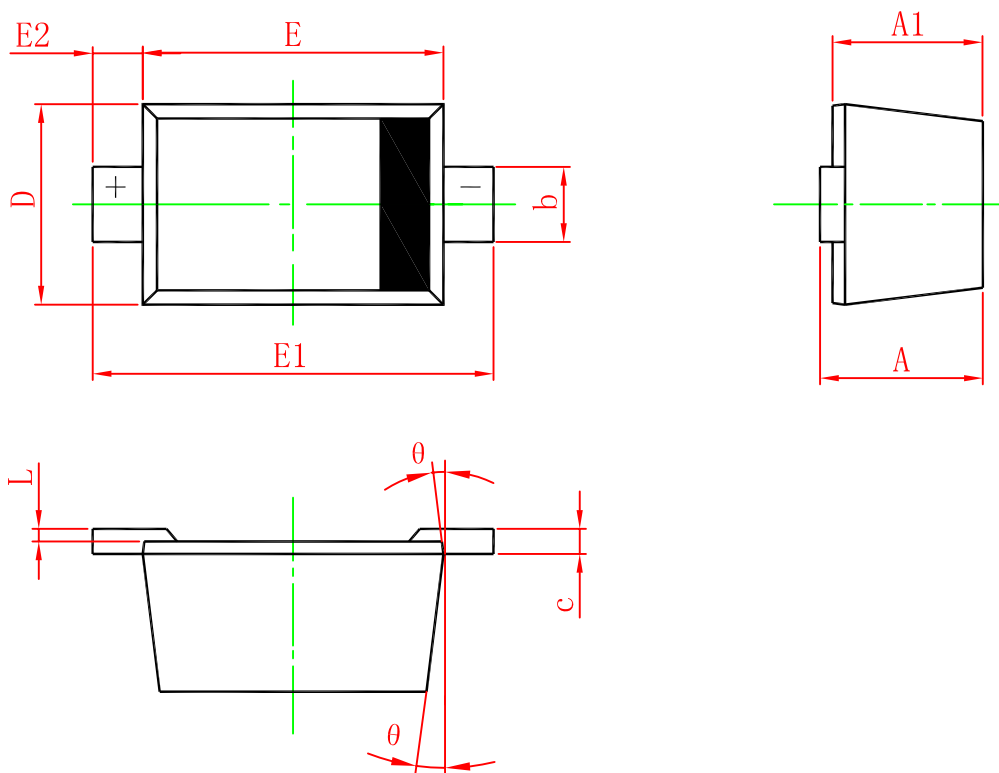
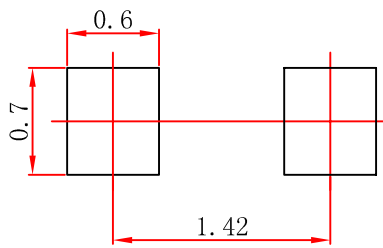


SOD-523 PACKAGE OUTLINE DIMENSIONS



Symbol	Dimensions In Millimeters		Dimensions In Inches	
	Min	Max	Min	Max
A	0.510	0.770	0.020	0.031
A1	0.500	0.700	0.020	0.028
b	0.250	0.350	0.010	0.014
c	0.080	0.150	0.003	0.006
D	0.750	0.850	0.030	0.033
E	1.100	1.300	0.043	0.051
E1	1.500	1.700	0.059	0.067
E2	0.200 REF		0.008 REF	
L	0.010	0.070	0.001	0.003
θ	7° REF		7° REF	



中心距：1.42
 脚宽：0.20
 焊盘宽：0.60
 脚长：0.30
 焊盘长：0.70

技术要求

1. 塑封体尺寸1.20×0.80；
2. 未注公差为：±0.05；
3. 所有单位为：mm。

媒体编号

镀涂

旧底图总号

SOD-523
焊盘

底图总号

更改标记	数量	更改单号	签名	日期
设计				
审核				
工艺				
标准化				
批准				

等级标记	版本号	比例
		20:1
第 1 张		共 1 张

日期 签名

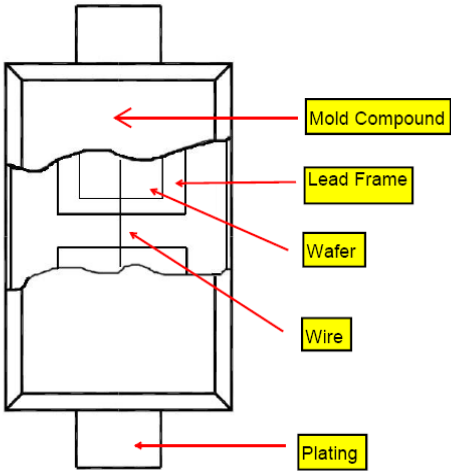
江苏长电科技股份有限公司

格式 (1)

制图：

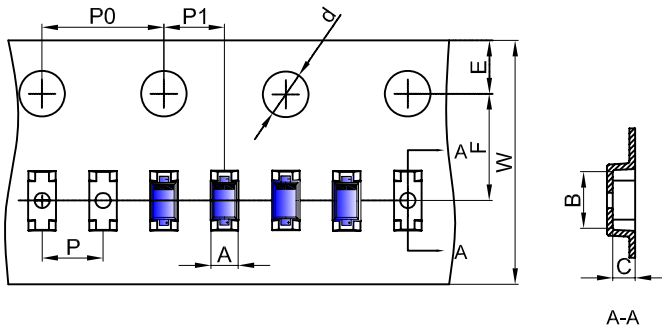
描图：

幅面：A4



SOD-523 Tape and reel

SOD-523 Embossed Carrier Tape

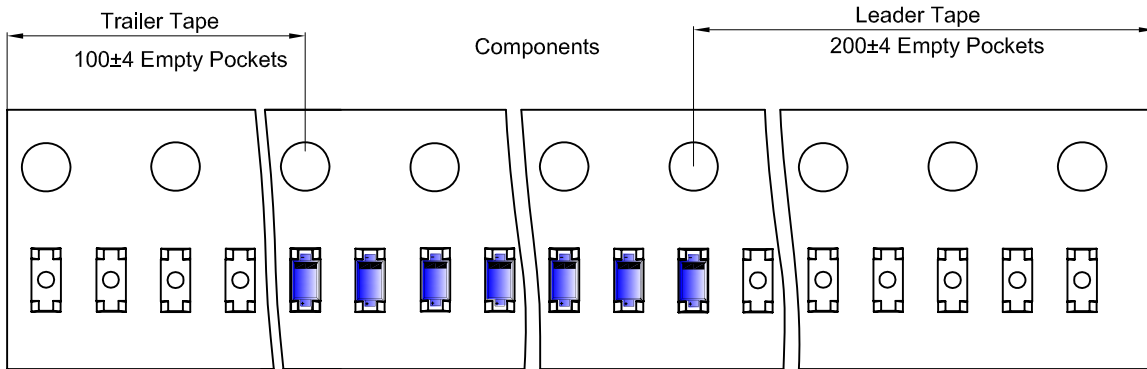


Packaging Description:
 SOD-523 parts are shipped in tape. The carrier tape is made from a dissipative (carbon filled) polycarbonate resin. The cover tape is a multilayer film (Heat Activated Adhesive in nature) primarily composed of polyester film, adhesive layer, sealant, and anti-static sprayed agent. These reeled parts in standard option are shipped with 8,000 units per 7" or 17.8cm diameter reel. The reels are clear in color and is made of polystyrene plastic (anti-static coated).

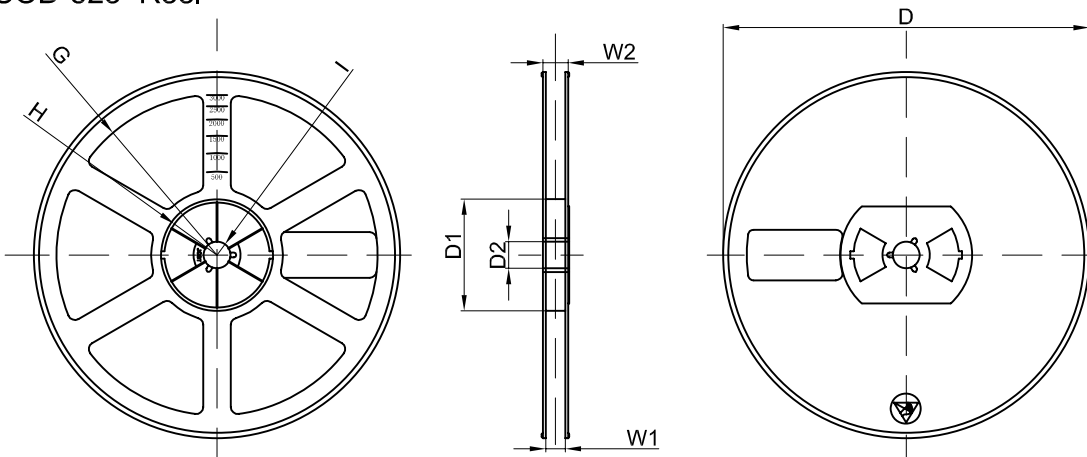
Dimensions are in millimeter

Pkg type	A	B	C	d	E	F	P0	P	P1	W
SOD-523	0.9	1.94	0.73	Ø1.50	1.75	3.50	4.00	2.00	2.00	8.00
(Tolerance)	+/-0.05	+/-0.05	+/-0.05	+/-0.1	+/-0.1	+/-0.1	+/-0.1	+/-0.1	+/-0.1	+0.3/-0.1

SOD-523 Tape Leader and Trailer



SOD-523 Reel



Dimensions are in millimeter

Reel Option	D	D1	D2	G	H	I	W1	W2
7" Dia	Ø178.00	54.40	13.00	R78.00	R25.60	R6.50	9.50	12.30
Tolerance	+/-2	+/-1	+/-1	+/-1	+/-1	+/-1	+/-1	+/-1

REEL	Reel Size	Box	Box Size(mm)	Carton	Carton Size(mm)	G.W.(kg)
8000 pcs	7 inch	120,000 pcs	203×203×195	480,000 pcs	438×438×220	



The bottom gasket



8000 x 15 PCS



8000 x 1 PCS

Label on the Reel



The top gasket

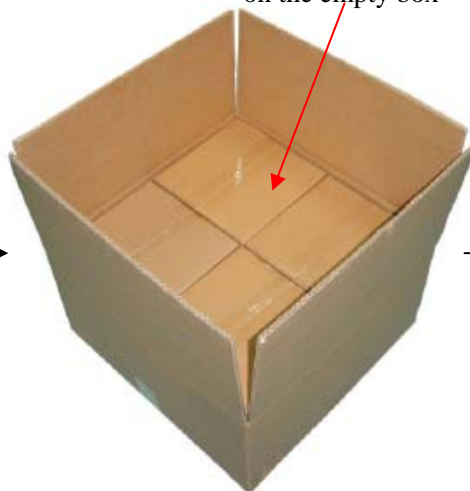


Seal the box with the tape

Label on the Inner Box

Inner Box: 203 mm x 203mm x 195mm

Stamp "EMPTY" on the empty box



Seal the box with the tape

QA Label



Label on the Outer Box

Outer Box: 438 mm x 438mm x 220mm